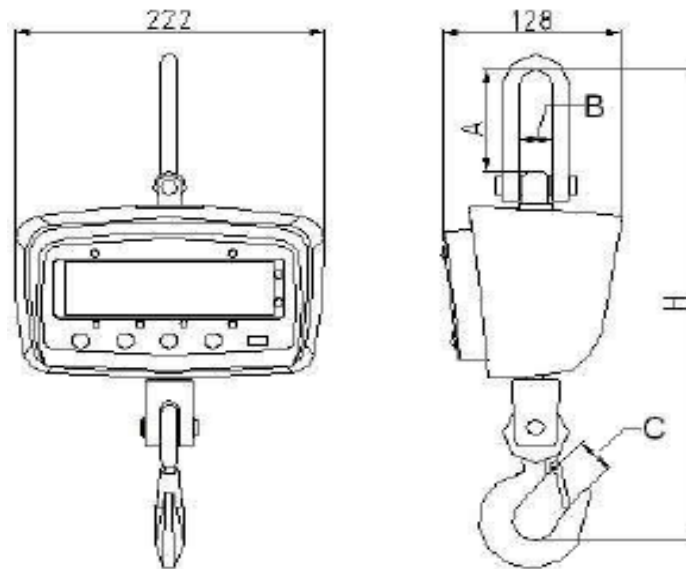




Dimensjoner kranvekt [mm]/ *Dimensions crane scale [mm]*

| Kapasitet/ <i>Capacity</i> | A  | B  | C  | H   |
|----------------------------|----|----|----|-----|
| 500 kg                     | 42 | 40 | 25 | 340 |



Vekt/ *weight*: 4,2 kg